

## A2K-GC

### Micro Gender Changer Cable



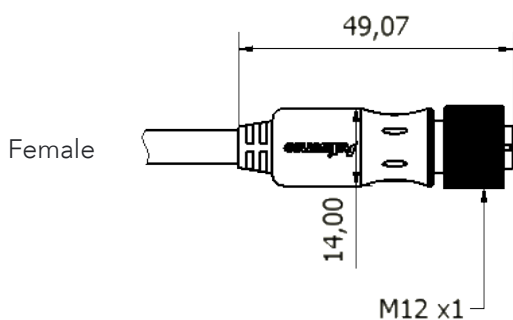
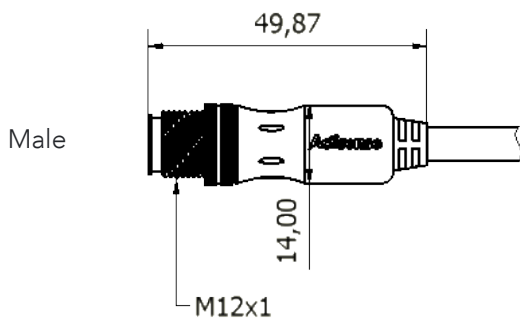
Use to connect 'male to male' or 'female to female' on a NMEA 2000<sup>®</sup> backbone...

The Actisense gender changer can be used between two cable connectors of the same type and gender, enabling installers to overcome the problem of connecting two devices or cables which have the same gender of connector on an NMEA 2000<sup>®</sup> backbone.

Manufactured using Actisense designed connectors and with 0.25m UL certified cable, the gender changers offer easy and secure connections.

The gender changers are available in male and female versions.

#### Product Dimensions

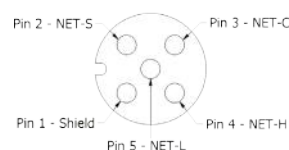


Electrical	
Rated Current	4A
Rated Voltage	125V
Mechanical	
Male Contact	Brass, gold plated
Female Contact	Phosphor bronze, gold plated
Contact Carrier	PBT, black
Contact Polarisation	Standard M12 -"A"- polarisation
Mating Thread	M12
Screw Cap	Brass, nickel plated
O-Ring Seal	Rubber, black
Housing	PVC, black
Power Pair	22 AWG (19 strand tinned copper)
Data Pair	24 AWG (19 strand tinned copper)
Drain	22 AWG (19 strand tinned copper)
Braid	37 AWG (tinned copper)
Jacket Material	0.8mm Nom. PVC, black
Jacket Outer Diameter	6.85mm ±0.254mm
Weight	50g
Length	0.25m
Approvals and Certifications	
Protection	IP67 (when mated)
Operating Temperature	-20°C to +70°C
Storage Temperature	-40°C to +85°C
NMEA 2000 Certified	
RoHS Compliant	
UL Certified (E137250), (UL1277)	

#### Connections

Wire Colour	Connector Pins	Name
Green/Bare	Pin 1	Shield
Red	Pin 2	NET-S
Black	Pin 3	NET-C
White	Pin 4	NET-H
Blue	Pin 5	NET-L

FEEMALE (Face view)



MALE (Face view)

