



A2K-MPT-1 Micro Power T

Power the NMEA 2000[®] bus with micro fit connectors to enable 'plug and play' connectivity...

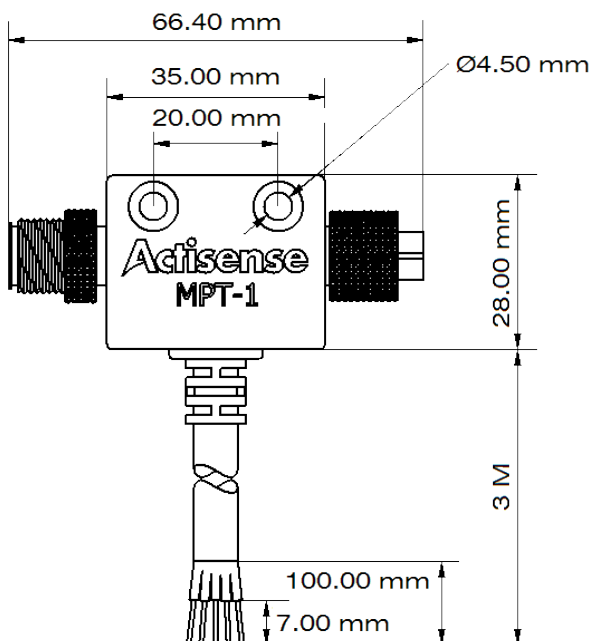
The Actisense Micro Power T can easily provide power to the NMEA 2000[®] bus with micro fit connections to enable 'plug and play' connectivity.

The Actisense designed connectors are quality engineered and shaped to allow easy and secure connections.

The Actisense specified cable is UL certified, the three metre cable length ensures that the A2K-MPT-1 offers complete flexibility when installing.

Choose the A2K-MPT-1 for a simple and safe method of powering an NMEA 2000[®] network.

Product Dimensions



Electrical	
Rated Current	4A (each feed)
Rated Voltage	60VDC
Mechanical	
Male Contact	Brass, gold plated
Female Contact	Phosphor bronze, gold plated
Contact Carrier	PBT, black
Contact Polarisation	Standard M12 - "A" - polarisation
Mating Thread	M12
Screw Cap	Brass, nickel plated
O-Ring Seal	Rubber, black
Housing	PVC, black
Cable Jacket Material	0.8mm Nom. PVC, black
Cable Outer Diameter	6.85mm ±0.254mm
Cable Length	3M
Wire Length	100mm (mm stripped)
Wire Jacket	PVC
Wires	18 AWG (stripped and tinned)
Drain	18 AWG (34 strand tinned copper)
Shield	Al-mylar
Weight	290g
Approvals and Certifications	
NMEA 2000 Certified	
RoHS Compliant	
UL Certified (E137250, UL1277)	
Protection	IP67 (when mated)
Operating Temperature	-20°C to +70°C
Storage Temperature	-40°C to +85°C

